

Figure 1

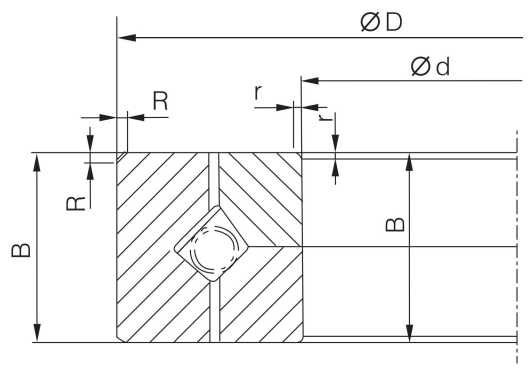


Figure 2

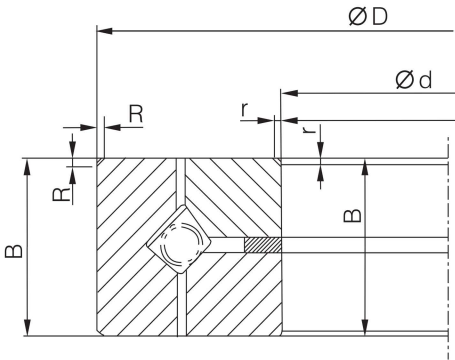


Figure 3

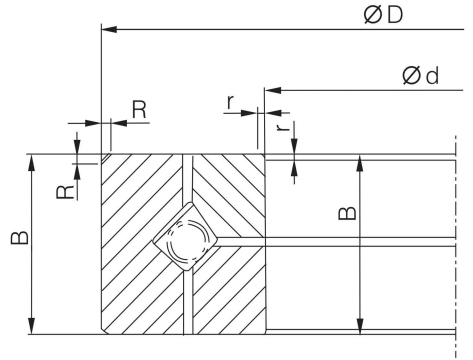


Figure 4

| Model | Figure | Dimension | | | | Radial Rated load(kN) | | Axial Rated load(kN) | | Limit speed r/min | Corresponding model | | | | Kg |
|------------|--------|-----------|---------|--------|-----|--------------------------|------|-------------------------|-------|-------------------------|---------------------|----------------|------------|--------------|------|
| | | d | D | B | r | 动 | 静 | 动 | 静 | | Timken | SKF | NACHI | URB | |
| XRT060-NT | 4 | 150 | 230 | 30 | 1 | 95.2 | 156 | 111 | 279 | 1100 | | BFKB353243/HA4 | 150XRN23 | | 4.9 |
| XRT063-NT | 4 | 160 | 240 | 30 | 1.1 | 96.8 | 162 | 118 | 300 | 1000 | | BFKB353240/HA4 | | | 5.15 |
| XRT079-NT | 4 | 200 | 280 | 30 | 1.5 | 102 | 175 | 120 | 320 | 900 | | | 200XRN28 | | 6.7 |
| XRT080-NT | 4 | 203.2 | 279.4 | 31.75 | 1.5 | 110 | 188 | 134 | 348 | 850 | XR496051 | 616093A | | | 5.59 |
| XRT080-W | 1 | 203.2 | 279.4 | 31.75 | 1.5 | 110 | 188 | 134 | 348 | 850 | XR496052 | | | | 5.59 |
| XRT094-NT | 4 | 240 | 300 | 30 | 1 | 88 | 184 | 114 | 361 | 750 | | BFKB353203/HA4 | | | 5.4 |
| XRT098-NT | 4 | 250 | 310 | 25 | 1 | 88 | 188 | 114 | 361 | 700 | | BFKB353212/HA4 | | | 4.5 |
| XRT099-NT | 4 | 250 | 350 | 40 | 1.3 | 187 | 355 | 228 | 657 | 670 | | BFKB353215/HA4 | 250XRN35 | | 13 |
| XRT110-NTL | 4 | 300 | 400 | 36.492 | 1.5 | 183 | 355 | 223 | 657 | 560 | JXR637050 | | | | 12.5 |
| XRT110-NT | 4 | 300 | 400 | 38 | 1.5 | 183 | 355 | 223 | 657 | 560 | XR635070 | 616094A | 300XRN40 | | 12.5 |
| XRT110-NF | 3 | 300 | 480 | 60 | 1.5 | 258 | 495 | 305 | 920 | 600 | JXR678054 | | | | 38 |
| XRT120-NT | 4 | 310 | 425 | 45 | 2.5 | 216 | 427 | 281 | 837 | 640 | JXR652050 | BFKB634097 | | | 19.5 |
| XRT130-NT | 4 | 330.2 | 457.2 | 63.5 | 3.3 | 264 | 515 | 312 | 954 | 620 | XR678052 | 615661A | | | 32 |
| XRT138-NT | 4 | 350 | 470 | 50 | 3.3 | 308 | 635 | 376 | 1180 | 560 | | BFKB353216/HA4 | 350XRN47 | | 27 |
| XRT140-NT | 4 | 370 | 495 | 50 | 3.3 | 93.6 | | 119 | | 600 | JXR699050 | | | | 30 |
| XRT157-NT | 4 | 400 | 480 | 40 | 1.1 | 216 | 497 | 281 | 957 | 430 | | BFKB353224/HA4 | | | 15 |
| XRT158-NT | 4 | 400 | 550 | 60 | 2.5 | 429 | 920 | 523 | 1700 | 400 | | BFKB353219/HA4 | 400XRN55 | | 46.5 |
| XRT170-W | 1 | 432.03 | 571.5 | 38.1 | 3.3 | 435 | 910 | 530 | 1600 | 400 | XR736052 | | | | 27.5 |
| XRT180-NT | 4 | 457.2 | 609.6 | 63.5 | 3.3 | 396 | 856 | 514 | 1680 | 420 | XR766051 | 615894A | 0457XRN060 | XD.10.0457P5 | 51 |
| XRT160-NT | 4 | 424.95 | 614.924 | 65 | | 470 | 960 | 600 | 1720 | 380 | XR766052 | | | | 62 |
| XRT220-NT | 4 | 580 | 760 | 80 | 3.3 | 627 | 1380 | 765 | 2560 | 300 | XR820060 | 615662A | 580XRN76 | XD.10.0580P5 | 100 |
| XRT220-W | 1 | 580 | 760 | 80 | 6.4 | 627 | 1380 | 765 | 2560 | 300 | XR820061 | | | | 100 |
| XRT230-NF | 4 | 600 | 830 | 80 | 6.4 | 680 | 1460 | 820 | 2870 | 300 | XR836050 | | 600XRN83 | | 148 |
| XRT270-N | 2 | 685.8 | 914.4 | 79.375 | 6.4 | 693 | 1660 | 900 | 3250 | 260 | XRA844050 | | | | 150 |
| XRT270-NT | 4 | 685.8 | 914.4 | 79.375 | 3.3 | 693 | 1660 | 900 | 3250 | 260 | XR855053 | 615659A | 0685XRN091 | XD.10.0686P5 | 150 |
| XRT270-W | 1 | 685.8 | 914.4 | 79.375 | | 693 | 1660 | 900 | 3250 | 260 | XR855056 | | | | 150 |
| XRT350-W | 1 | 901.7 | 1117.6 | 82.555 | 3.3 | 781 | 2060 | 1060 | 4290 | 200 | XR882054 | | | | 185 |
| XRT350-NT | 4 | 901.7 | 1117.6 | 82.555 | 3.3 | 781 | 2060 | 1060 | 4290 | 200 | XR882055 | 615895A | 0901XRN112 | XD.10.0902P5 | 185 |
| XRT370-N | 2 | 939.8 | 1117.6 | 82.55 | 3 | 920 | 2580 | 1200 | 5000 | 200 | XR882058 | | | | 158 |
| XRT374-NF | 4 | 950 | 1170 | 85 | 3.3 | 968 | 2690 | 1310 | 5600 | 215 | | BFKB353251/HA4 | | | 215 |
| XRT400-NT | 4 | 1028.7 | 1327.15 | 114.3 | 3.3 | 1230 | 3310 | 1600 | 6490 | 430 | XR889058 | BFKB353282/HA4 | 1028XRN132 | XD.10.1029P5 | 430 |
| XRT400-WL | 1 | 1028.7 | 1327.15 | 95.25 | 3.3 | 1060 | 3100 | 1420 | 6020 | 450 | XR889059 | | | | 358 |
| XRT400-NF | 3 | 1028.7 | 1327.15 | 114.3 | 3.3 | 1230 | 3310 | 1600 | 6490 | 430 | XR889060 | | | | 430 |
| XRT500-NT | 4 | 1270 | 1524 | 95.25 | 1.8 | 1300 | 3830 | 1760 | 2980 | 95 | | 615897A | | | 350 |
| XRT610-NT | 4 | 1549.4 | 1828.8 | 101.6 | 3.3 | 1400 | 4510 | 1890 | 9400 | 80 | XR897051 | 615898A | | XD.10.1549P5 | 500 |
| XRT740-NT | 4 | 1879.6 | 2197.1 | 101.6 | 5.4 | 1510 | 5240 | 2040 | 10900 | 43 | XR903054 | 615899A | | XD.10.1880P5 | 675 |
| XRT1040-NT | 4 | 2463.8 | 2819.4 | 114.3 | 5.4 | 2330 | 8740 | 3150 | 18200 | 19 | XR902050 | 634078A | | | 1130 |